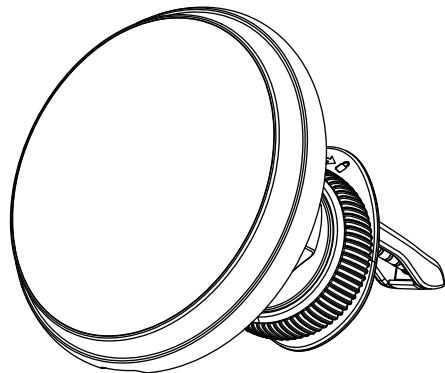


# CAYO car.dokk

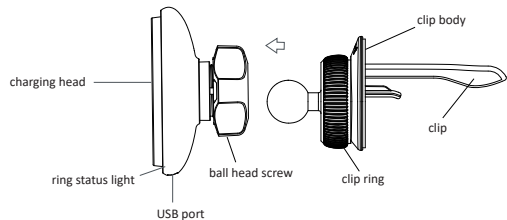
## instruction manual



### Package

car.dokk wireless charger / air vent mount / USB-C connecting cable

### Functional component



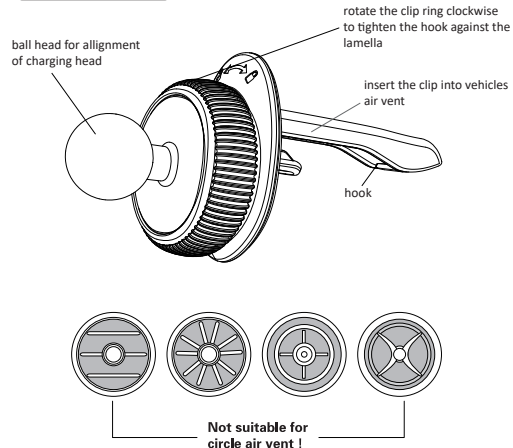
### Specifications

Name:	CAYO car.dokk
Standard:	QC3.0
Input:	5V/2A, 9V/2A
Output:	5V/1A, 9V/1.12A, 9V/1.67A
Induction distance:	< 3mm
Compatibility:	CAYO phone.dokk with compatible phones

### Direction for use

1. Carefully insert the the car.dokk clip into the vehicle air vent. Align the small red hook of the clip behind a air vent lamella. Slowly rotate the clip ring clockwise until the clip hook grip into the lamella. Now continue to rotate until the clip body touches the vehicle air vent and the clip assembly fits tight. Align the charging head in the desired position and and thighten the ball head screw by rotating it clockwise.
2. Plug the delivered USB Cable into the car.dokk USB port. Now connect the USB cable to a vehicle USB port or a optional cigarette lighter to USB adapter. For full charging performance a QC3.0 compatible USB power source is required. If the LED ring lights up in green the charger is ready.
3. Approach the phone backside to the charging head. At the distance of 5mm the magnetic head will allign and attach the phone and the charging will start automatically. The charger will turn off and the LED ring light will flashing for 5 seconds if a foreign metall object is detected or the phone is not compatible for wireless charging.
4. The phone can be removed from the charging head at any time. If so, the car.dokk will go into standby.

### Air vent mount



### Precautions

1. Do not use the car.dokk at temperatures higher than 60°C (140°F).
2. Do not use under racing or off-road conditions.

### Declaration of conformity

motogadget GmbH hereby declares that the product is compliant with the applicable EU guidelines. The full text of the EU declaration of conformity is available at the following internet address:

<https://manuals.motogadget.com/cayo-car-dokk>



CAYO

a brand of motogadget GmbH  
Wollenberger Str. 4 i/j  
13053 Berlin, Germany